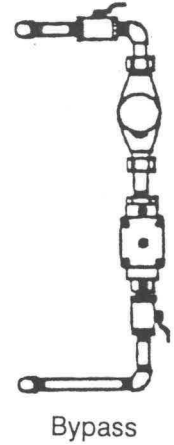
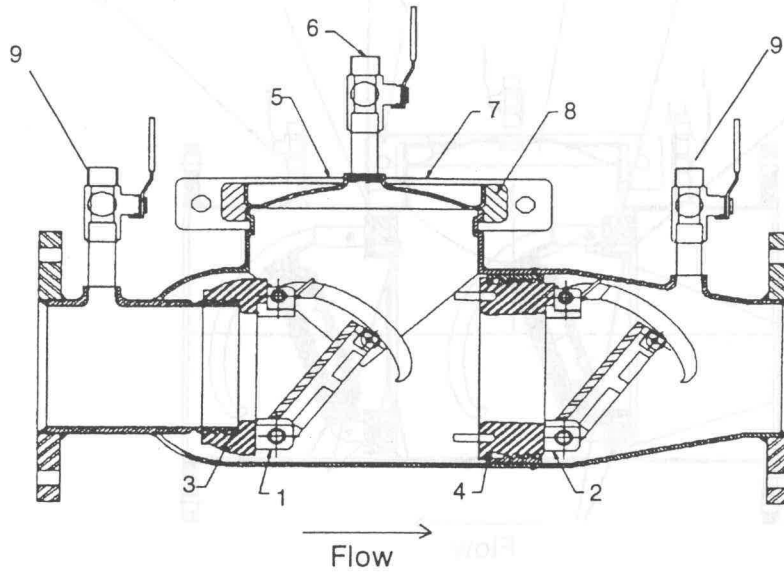
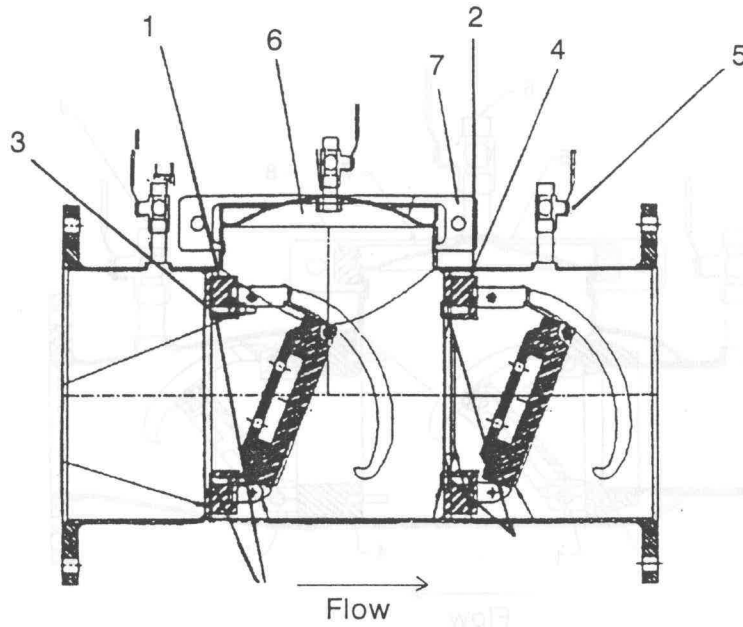


**Model:**  
**2000SS - 3000SS - 2000SE - 3000SE**  
**(2 1/2" - 6") (6" - 8")**



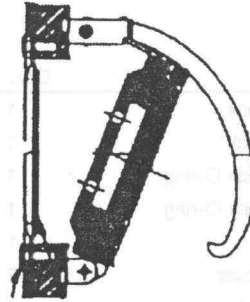
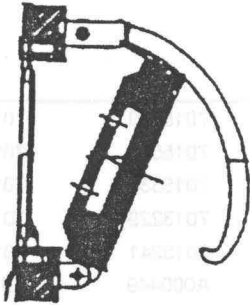
Item #	Description	Qty.	2 1/2"	3"	4"	6"
1.	#1 Cam-Check	1	7015559	7015559	7015559	7015564
2.	#2 Cam-Check	1	7015560	7015560	7015560	7015565
3.	#1 Cam-Check O-ring	1	7015333	7015333	7015333	7013280
4.	#2 Cam-Check O-ring	1	7013229	7013229	7013229	7013281
5.	Cover Plate	1	7013241	7013241	7013241	7013289
6.	Ball Valve Cover	2	A000449	A000449	A000449	A000449
7.	Groove Coupler	1	7013194	7013194	7013194	7013287
8.	Groove Coupler Gasket	1	7013248	7013248	7013248	7013308
9.	Ball Valve Cover	1	A603134	A603134	A603134	7013034

Item #	Description	Qty.	6" SE	8"SE
1.	#1 Cam-Check	1	7015559	7015564
2.	#2 Cam-Check	1	7015560	7015565
3.	#1 Cam-Check O-ring	1	7015333	7013280
4.	#2 Cam-Check O-ring	1	7013229	7013281
5.	Cover Plate	1	7013474	7013289
6.	Ball Valve Cover	2	A000449	A000449
7.	Groove Coupler	1	7013194	7013287
8.	Groove Coupler Gasket	1	7013248	7013308
9.	Ball Valve Cover	1	7013034	7013034



**#2 CAM-CHECK DC**

**#1 CAM-CHECK**



Item #	Description	Qty.	8"	10"	12"
1.	#1 Cam-Check	1	7015569	7015569	7015569
2.	#2 Cam-Check	1	7015569	7015569	7015569
3.	#1 Cam-Check O-ring	1	7011610	7011610	7011610
4.	#2 Cam-Check O-ring	1	7011610	7011610	7011610
5.	Ball Valve	4	A000449	A000449	A000449
6.	Cover Plate	1	7013495	7013495	7013495
7.	Groove Coupler	1	A605530	A605530	A605530
7.5.	Groove Coupler Gasket (not shown)	1	7014806	7014806	7014806
8.	Washer, Shut-off Disk	1	7013499	7013499	7013499