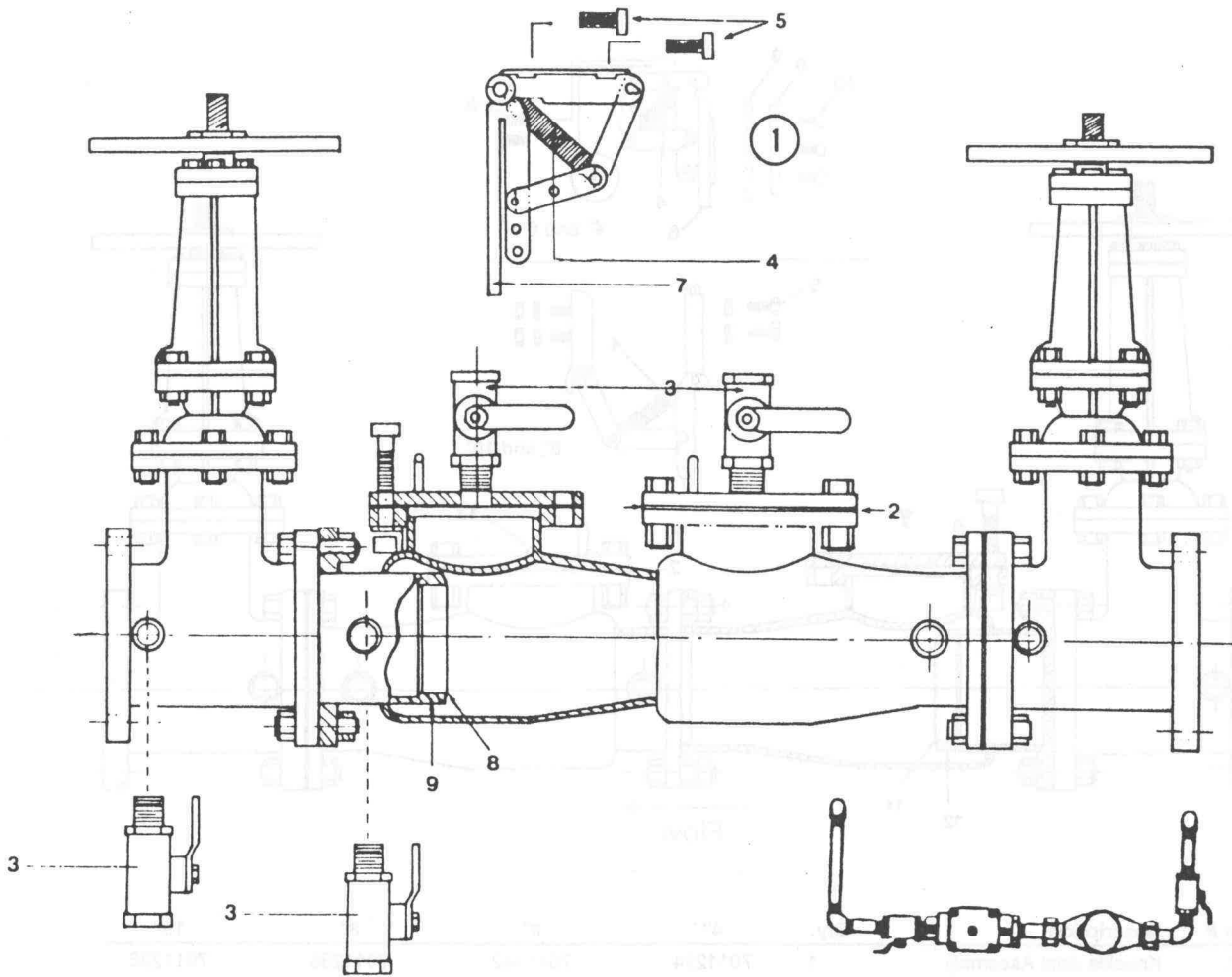


Model: 2000DCA - 3000DCDA
4" - 10"



Item #	Description	Qty.	4"	6"	8"	10"
1.	DCA Knuckle Joint Assembly	1	7011441	7011220	7011433	7011236
1a.	DCDA Knuckle Joint Assembly	1	7011422	7011426 #1 CK 7011220 #2 CK	7011257	7011236
2.	Bonnet Gasket	1	7011199	7011124	7011125	7011125
3.	Ball Valve	4	7014668	A000449	A000449	A000449
4.	DCA Spring	2	7011332	7011128	7011323	7011319
4a.	DCDA Spring		7011320	7011128	7011323	7011319
	(# of springs required)		(2)	(3) #1 CK (2) #2 CK	(3)	(2)
5.	3/8" Stainless Steel Housing Bolts	2	7014619	7014619	7014619	7014619
6.	Washer (rubber faced) (Not Shown)	2	7014585	7014585	7014585	7014585 (4)
7.	Clapper Plate (rubber faced)	1	7011418	7011419	7011420	7011420
8.	Bronze Seat Ring	1	7011160	7011162	7011163	7011163
9.	Seat O-ring	1	7011161	A300704	A300706	A300706
10.	Clapper Retainer Clip	1	7013911	7013912	7013913	-
11.	Tong Tool	1	-	-	-	7016090

Repair Tools

**2000 DCA & 3000 DCDA
4000 RP & 5000 RPDA
8" & 10" DC & DCDC**

Description	4"	6"	8"	10"
Retainer Clip	7013911	7013912	7013913	7013913
Tong Tool	7016090	7016090	7016090	7016090
Seat Installation and Removal Tool	7013941	7013946	7013950	7013950

