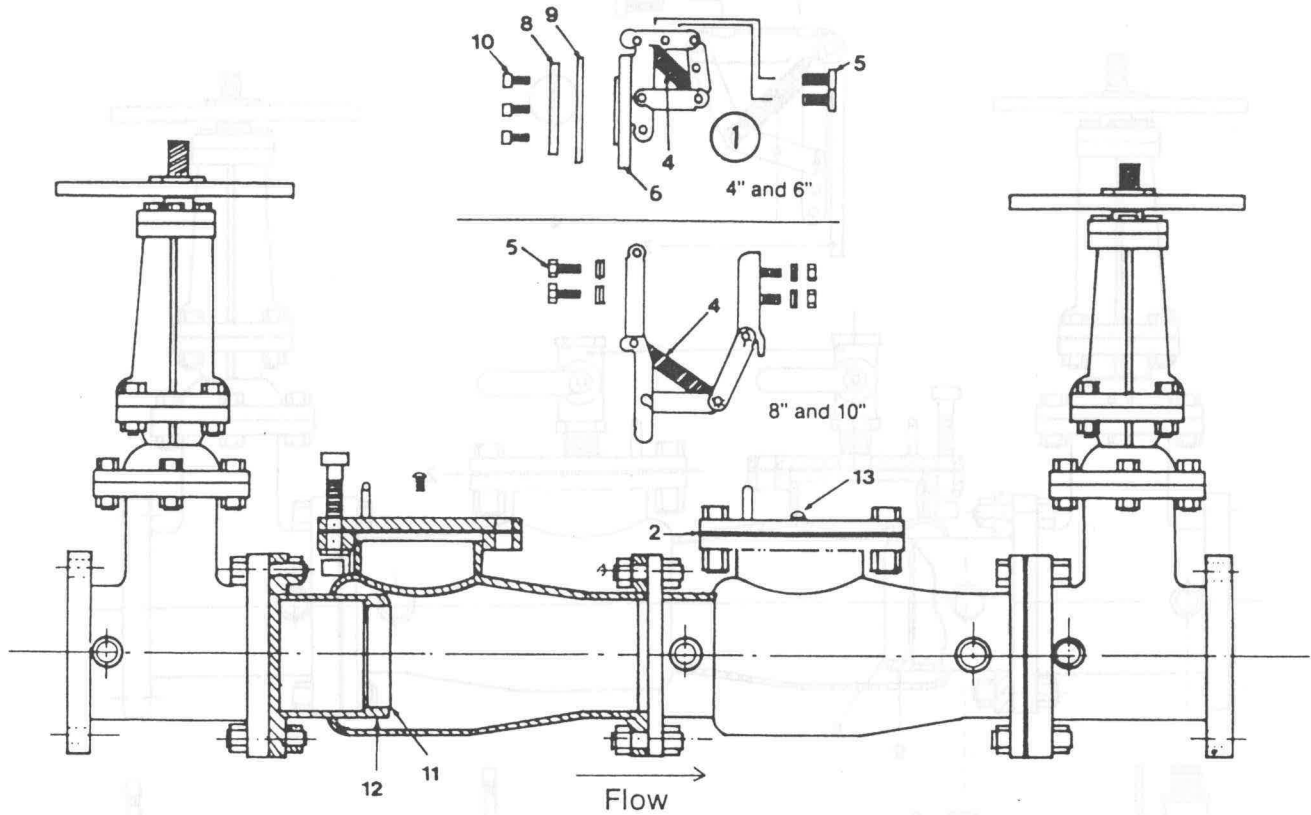


Model: 2000DCDC - 3000DCDC
4" - 10"



Item #	Description	Qty.	4"	6"	8"	10"
1.	Knuckle Joint Assembly (1st & 2nd identical)	1	7011224	7011142	7011236	7011236
2.	Bonnet Gasket	1	7011123	7011124	7011125	7011125
3.	Ball Valve	4	A000449	A000449	A000449	A000449
4.	Spring	2	7011320	7011128	7011319	7011319
5.	3/8" Stainless Steel Housing Bolts	2	7014519	7014619	7014619	7014619
5.5.	Washer (rubber faced)	2	7014585	7014585	7014585 (4)	7014585 (4)
6.	Clapper Plate (disc holder)	1	7011228	7011229	-	-
6.5.	Clapper Plate (rubber face)	1	-	-	7011420	7011420
8.	Retainer Plate	1	7011226	7011145	-	-
9.	Molded Rubber Clapper Insert	1	7011227	7011144	-	-
10.	Clapper Keeper Bolts	3	A000483	A000483 (4)	-	-
11.	Seat	1	7011160	7011162	7011163	7011163
12.	Seat O-ring	1	7011161	A300704	A300706	A300706
13.	Vent Screw	1	7011133	7011133	7011133	7011133
14.	Tong Tool	1	-	-	7016090	7016090
15.	Clapper Retainer Clip	1	7013911	7013912	-	-

Repair Tools

**2000 DCA & 3000 DCDA
4000 RP & 5000 RPDA
8" & 10" DC & DCDC**

Description	4"	6"	8"	10"
Retainer Clip	7013911	7013912	7013913	7013913
Tong Tool	7016090	7016090	7016090	7016090
Seat Installation and Removal Tool	7013941	7013946	7013950	7013950

