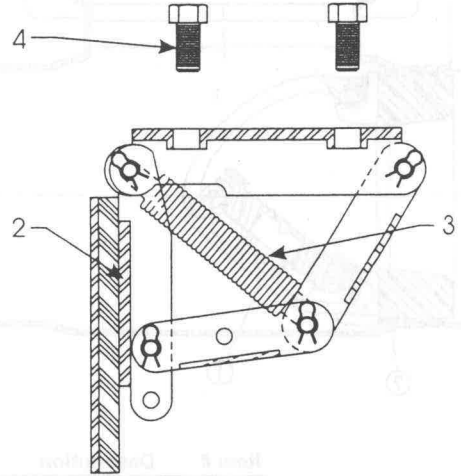
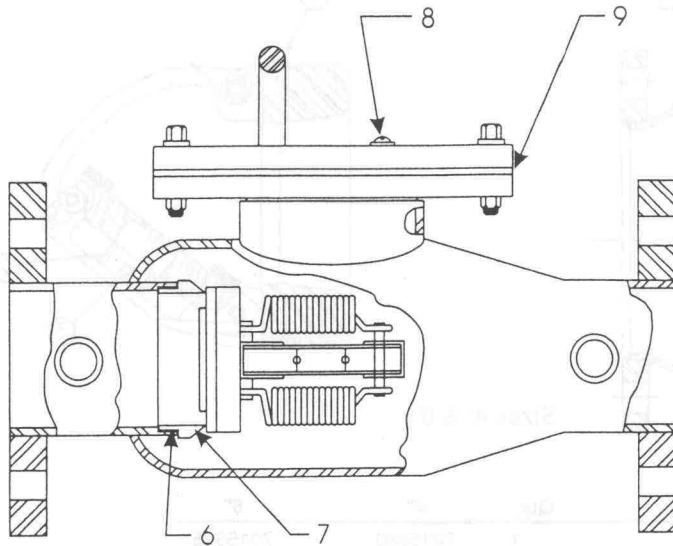


Model: 1000DCV
"4" - 10"



KNUCKLE JOINT ASSEMBLY ①

| Item # | Description | Qty. | 4" | 6" | 8" | 10" |
|--------|---|------|----------------|----------------|----------------|----------------|
| 1. | Knuckle Joint Assembly (complete unit) | 1 | 7015550 | 7015551 | 7015552 | 7015552 |
| 2. | Clapper Plate w/link | 1 | 7011411 | 7011412 | 7011413 | 7011413 |
| 3. | Spring (# of springs required) | | 7011320 (2) | 7011128 (2) | 7011323 (3) | 7011323 (3) |
| 4. | 3/8" Stainless Steel Bolts | 2 | 7014619 | 7014619 | 7014619 | 7014619 |
| 5. | Washer (rubber faced) | 2 | 7014585 | 7014585 | 7014585 | 7014585 |
| 6. | Bronze Seat (replaceable in line) | 1 | 7011160 | 7011162 | 7011163 | 7011163 |
| 7. | Seat O-ring | 1 | 7011161 | A300704 | A300706 | A300706 |
| 8. | Vent Screw | 1 | 7011133 | 7011133 | 7011133 | 7011133 |
| 9. | Bonnet Gasket | 1 | 7011123 | 7011124 | 7011125 | 7011125 |
| 10. | Clapper Retainer Clip (not shown) | 1 | 7013911 | 7013912 | 7013913 | 7013913 |