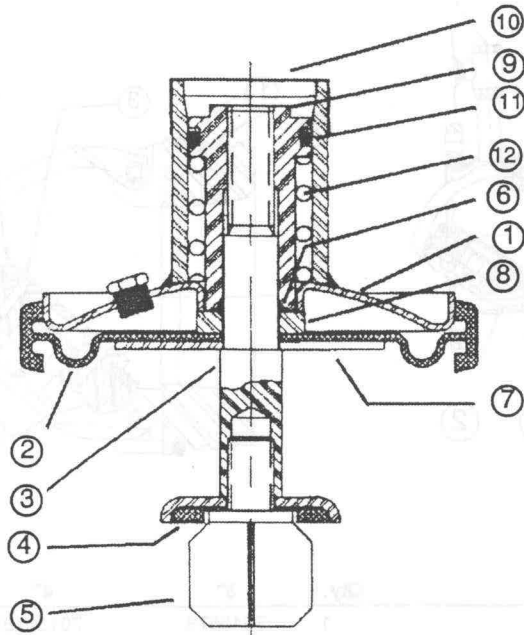


Note: Align holes and insert pin or small screwdriver to hold in open position.

Item #	Description	Qty.	3"	4"	6"
1.	#1 Cam-Check	1	7015578	7015578	7015587
2.	#2 Cam-Check	1	7015575	7015575	7015584
3.	Relief Valve Assembly Cover Plate, Diaphragm Relief Valve Internals	1	7015572	7015572	7015581
4.	Groove Coupler	1	7013194	7013194	7013287
5.	Diaphragm/Gasket	1	7013868	7013868	7013873
6.	Ball Valve	3	7014668	7014668	A000449
7.	Relief Valve Seat Assy.	1	7016961	7016961	7016961
8.	Relief Valve Sensing Line	1	7013876	7013876	7013876
9.	#1 Cam-Check O-ring	1	7013229	7013229	7013301
10.	#2 Cam-Check O-ring	1	7013188	7013188	7013281

Item #	Description	Qty.	3"	4"	6"
1.	#1 Cam-Check O-ring *	1	7013229	7013229	7013301
2.	Clapper Assembly	1	7014192	7014192	7014213
3.	Clapper Retaining Plate Screw	1	7013877	7013877	7013880
4.	Clapper Retainer Plate	1	7013835	7013835	7013836
5.	Clapper Disc*	1	7013837	7013837	7013838
6.	Pivot Arm Pin (2-c-clips) *	1	7013853	7013853	7013841
7.	#2 Cam-Check O-ring	1	7013188	7013188	7013281
8.	#1 Cam-Check Rubber Kit Consist of * items	1	7014195	7014195	7014216
9.	#2 Cam-Check Rubber Kit Consist of * items	1	7014196	7014196	7014217
10.	C-Clips Kit	1	7014197	7014197	7014218



Item #	Description	Qty.	3"	4"	6"
1.	Cover	1	7014190	7014190	7014211
2.	Diaphragm/Gasket *	1	7013868	7013868	7013873
3.	Shaft	1	7013866	7013866	7013871
4.	Sealing Disc *	1	7013860	7013860	7013860
5.	Guide, Lower	1	7013861	7013861	7013861
6.	O-ring *	1	7012814	7012814	7012814
7.	Support Disc	1	7013864	7013864	7013870
8.	Disc, Diaphragm Stop	1	7013863	7013863	7013872
9.	Guide, Upper	1	7013865	7013865	7013865
10.	Cover, Dust	1	7014786	7014786	7014786
11.	O-ring Upper *	1	7012813	7012813	7012813
12.	Spring	1	7013894	7013894	7013867
13.	Relief Valve Rubber Kit	1	7014194	7014194	7014215
	Consist of * items				