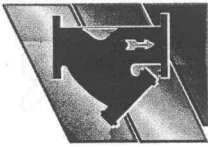


Accessories



Cast Iron Strainers, Wye-Pattern, Flanged Connections

Sizes 2" through 12"

Series 77F-D-FDA

Similar to Series 77F-D, except provided with double coated, electrostatically applied, heat fused epoxy coating on the interior and exterior. FDA approved suitable for potable water and food contact.

Ideal for liquid service where a noncorrosive construction, clean cosmetic appearance is required. The 77F-D-FDA is to be used in water service only.

Self-Cleaning

Self cleaning is accomplished by opening a blow-off valve or plug to the blowoff outlet.

Blowoff Outlets

Tapped NPT; see dimension "C" for specified sizes.

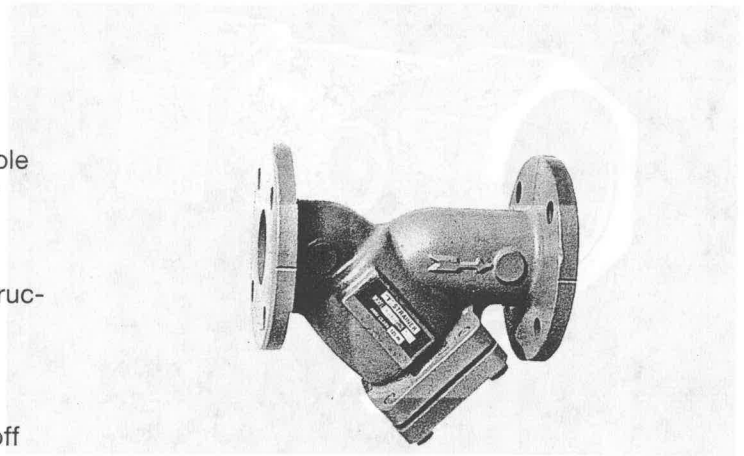
Pressures (Non-Shock)

Series 77F-D-FDA is for water service only, 200 psi @ 140°F.

Standards Conformance

The dimensions and drilling of end flanges conform to the American cast iron flange standard ANSI B16.1, Class 125 and Class 250.

Complies with MIL-S 16293 Type II.

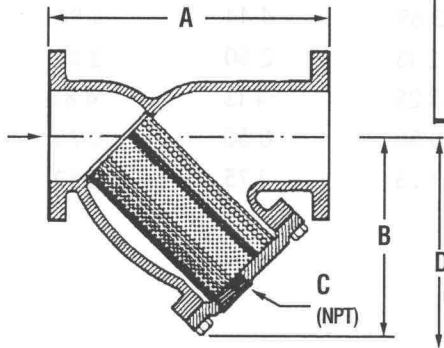


Screens

Size	Standard Screen Openings*	Materials
2" - 5"	1/16" perforation	Stainless
6" - 8"	1/8" perforation	Stainless
10" - 12"	3/16" perforation	Stainless

*Standard screens are for Water, Oil, and Gas.

Dimensions - Weights



Size	2"	2½"	3"	4"	5"	6"	8"	10"	12"
77F-D	Ordering No. 820875	820877	820879	820881	820883	820885	820887	820889	829891
77F-D-FDA	Ordering No. 820816	820818	820820	820822	820823	820824	820828	820832	820844
A	7 7/8"	10"	10 1/8"	12 1/8"	15 5/8"	18 1/2"	21 5/8"	26"	29 7/8"
B	5 1/4"	6 1/2"	7"	8 1/4"	11 1/4"	13 1/2"	15 1/2"	18 1/2"	21 3/4"
C (NPT)	1/2"	1"	1"	1 1/2"	2"	2"	2"	2"	2"
D Screen Removal	7"	9 3/4"	10"	12"	17"	20"	22 3/4"	28"	30"
Weight (lbs.)	18	28	34	60	95	133	247	370	579

