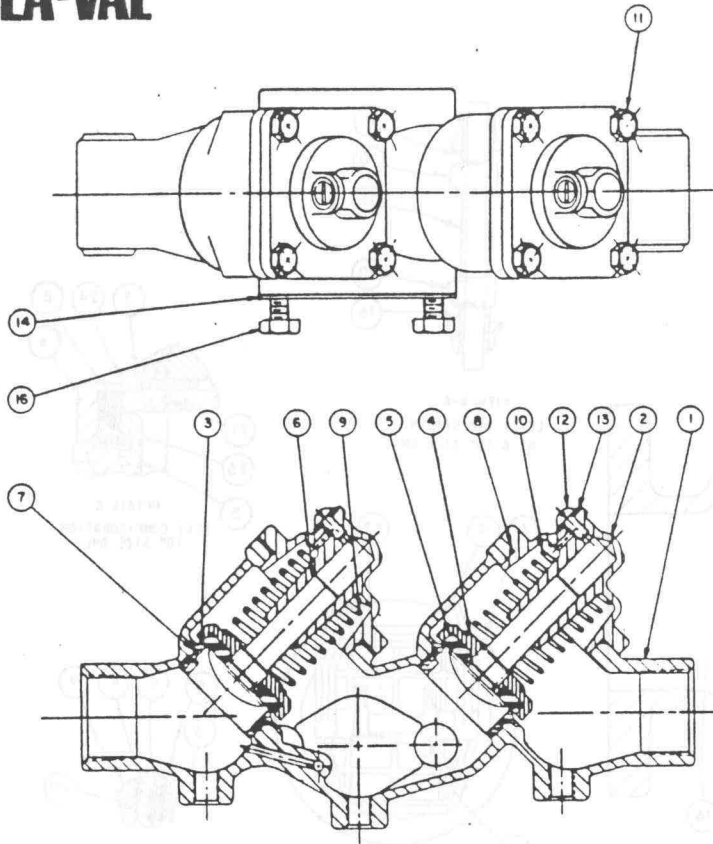




Model D-2

Sizes 3/4" thru 1 1/2"



3/4" & 1".....

PARTS LIST (MAIN VALVE)

ITEM NO.	DESCRIPTION	QTY.
1	BODY	1
2	COVER	2
3	SEAT	2
4	RETAINER, DISC	2
* 5	DISC	2
6	STEM	2
7	O-RING, SEAT	2
* 8	O-RING, COVER	2
9	SPRING, #1 CHECK	1
10	SPRING, #2 CHECK	1
11	BOLT, HEX HEAD	8
12	SCREW, ROUND HEAD	2
* 13	WASHER	2
* 14	GASKET	1
16	BOLT, HEX HEAD	2

MAIN VALVE REPAIR KIT

FOR 3/4" through 1 1/2" RP-2 and D-2

INCLUDES: Discs and O Rings for BOTH main check valves.

Kit Size	Description	Stock No.
1"	Used on 3/4" and 1"	88415F
1 1/2"	Used on 1 1/4" and 1 1/2"	88416D

1 1/4" & 1 1/2".....

PARTS LIST (MAIN VALVE)

ITEM NO.	DESCRIPTION	QTY.
1	BODY	1
2	COVER	2
3	SEAT	2
4	RETAINER, DISC	2
* 5	DISC	2
6	(Deleted)	-
7	STEM	2
8	(Deleted)	-
9	O-RING, SEAT	2
* 10	O-RING, COVER	2
11	(Deleted)	-
12	SPRING, #1 CHECK	1
13	SPRING, #2 CHECK	1
14	BOLT, HEX HEAD	8
15	SCREW, ROUND HEAD	2
* 16	WASHER	2
* 17	GASKET	1
19	BOLT, HEX HEAD	2

