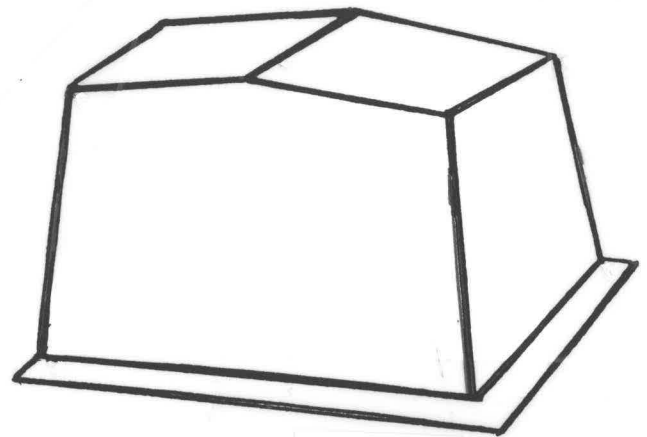
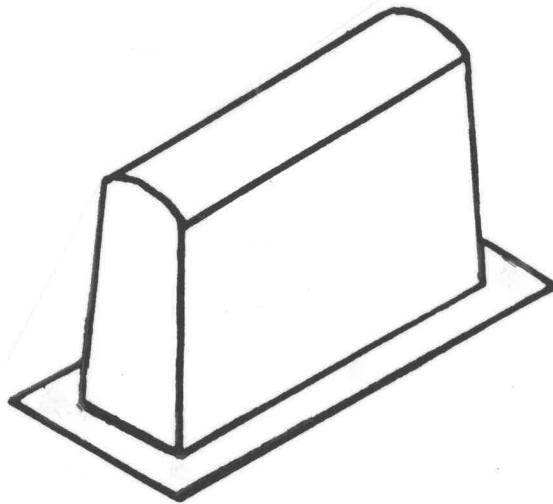


Economy Series Enclosures

(Standard-Spray Foam)

Dimensions

<u>Model</u>	<u>Length</u>	<u>Width</u>	<u>Height</u>		<u>Flange Size</u>	<u>Weight</u>
A30-S	27"	10"	18"	ID.	34" X 18"	20 lbs.
A41-S	35"	13"	27"	ID.	45" X 20"	25 lbs.
A51-S	47"	13"	30"	ID.	55" X 20"	40 lbs.
A43W-S	43"	29"	30"	ID.	49" X 35"	45 lbs.
Wide Body Enclosure						



A43W-S

- * Fiberglass enclosures have 1" polyurethane spray foam insulation with 1/8" fiberglass outer walls.
- * Forest green in color.
- * One-piece construction.
- * Standard series designed to cover devices for sizes 3/4" – 2".
- * Wide Body Enclosure can be used to cover multiple units or special installations.