

Model 825Y and YA (3/4" - 2") Parts

Model 825Y & YA Part Numbers (Sizes 3/4" - 2")

ITEM NO.	DESCRIPTION	QTY.*	SIZE 3/4"	SIZE 1"	SIZE 1 1/4"	SIZE 1 1/2"	SIZE 2"
3	Bushing	3	500-290	500-290	500-290	500-290	500-290
4	O-ring	2	398-202-72	398-202-72	398-202-72	398-202-72	398-202-72
5	Gasket	2	340-078	340-078	340-078	340-079	340-079
6	Capscrew	2	515-513-05	515-513-05	515-513-05	515-514-06	515-514-06
7	Cap	2	101-028	101-028	101-043	101-034	101-034
8	O-ring	2	398-226-72	398-226-72	398-226-72	398-235-72	398-235-72
9	Disc Holder	2	500-270	500-270	500-270	500-278	500-278
10	Seat Disc	2	400-099	400-099	400-099	400-103	400-103
11	Washer	2	300-084	300-084	300-084	300-108	300-108
12	Screw	2	516-543-03	516-543-03	516-543-03	516-543-03	516-543-03
13	Spring (Inlet)	1	630-125	630-125	630-125	630-137	630-137
14	Spring (Outlet)	1	630-115	630-115	630-115	630-118	630-118
15	Bolt	4	511-514-06	511-514-06	511-514-06	-----	-----
15	Bolt	8	-----	-----	-----	511-515-07	511-515-07
16	Cover	1	101-029	101-029	101-046	101-035	101-035
17	Diaphragm	1	400-101	400-101	400-101	400-104	400-104
18	Screw	1	700-107	700-107	700-107	519-513-03	519-513-03
19	Button	1	500-284	500-284	500-284	300-107	300-107
20	Spring	1	630-126	630-126	630-126	630-138	630-138
21	Mainstem	1	500-273	500-273	500-273	500-280	500-280
22	O-ring	1	398-113-72	398-113-72	398-113-72	398-120-72	398-120-72
23	Guide	1	500-277	500-277	500-277	500-281	500-281
24	O-ring	1	398-022-72	398-022-72	398-022-72	398-127-72	398-127-72
25	Seat Disc	1	400-102	400-102	400-102	400-105	400-105
26	Washer	1	300-104	300-104	300-104	300-105	300-105
27	Screw	1	700-137	700-137	700-137	519-513-03	519-513-03
101	Seat Ring (Relief Valve)	1	200-779	200-779	-----	200-780	200-780
102	O-ring (Relief Valve)	1	398-019-72	398-019-72	-----	398-026-72	398-026-72
103	Elbow (YA only)	2	101-194	101-195	-----	101-189	101-190
104	O-ring (YA only)	2	398-223-72	398-223-72	-----	398-230-72	398-230-72

* Quantity required per valve.

Shut-Offs: Model 825Y & YA

ITEM NO.	DESCRIPTION	QTY.*	SIZE 3/4"	SIZE 1"	SIZE 1 1/4"	SIZE 1 1/2"	SIZE 2"
29	Ball Valve (Inlet)	1	781-053	781-054	781-055	781-056	781-057
29A	Ball Valve (Outlet)	1	781-048	781-049	781-050	781-051	781-052
30	Testcock	4	781-074	781-074	781-075	781-075	781-075

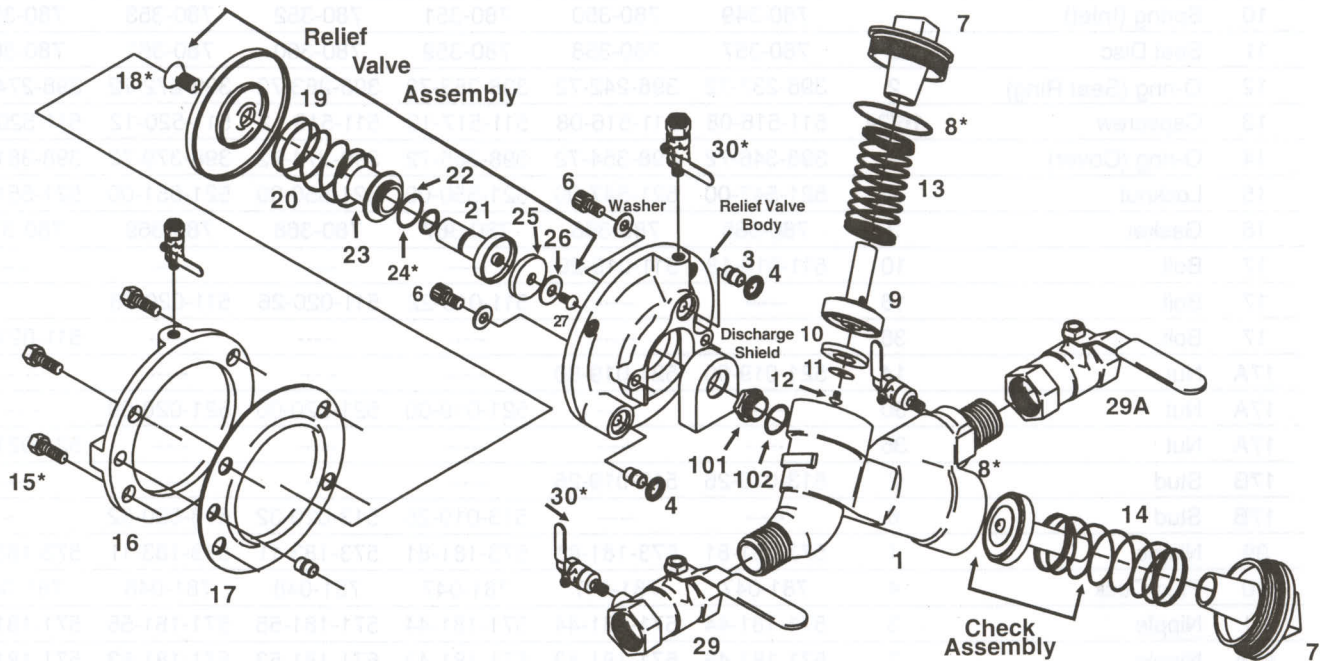
* Quantity required per valve.

Model 825Y and YA (3/4" - 2") Parts (Cont.)

Assemblies / Kits: Model 825Y & YA

DESCRIPTION	QTY.*	SIZE 3/4"	SIZE 1"	SIZE 1 1/4"	SIZE 1 1/2"	SIZE 2"
Check Valve Rubber Kit (2 ea. 8, 10)	1 Kit	905-042	905-042	905-042	905-053	905-053
Relief Valve Rubber (1 ea. 17, 22, 24, 25)	1 Kit	905-043	905-043	905-043	905-054	905-054
Check Valve Assembly (1 ea. 8, 9, 10, 11, 12)	2 Assy.	905-044	905-044	905-044	905-055	905-055
Relief Valve Assembly (1 ea. 17, 18, 19, 20, 21, 22, 23, 24, 25, 26, 27)	1 Assy.	905-045	905-045	905-045	905-056	905-056
RV Seat Ring Kit (101, 102)	1 Kit	905-113	905-113	905-113	905-114	905-114
Complete Rubber Parts Kit (3, 4, 5, 8, 10, 17, 22, 24, 25, 102)	1 Kit	905-111	905-111	905-111	905-112	905-112
Check Valve Seat Kit (YR only)	2 Kits	905-280	905-280	905-280	905-281	905-281

* Quantity required per valve.



* Denotes Commercial Parts Available
Unit is shown with ball valve shut-offs.
Some parts are sold in kits only. Consult Parts Price List for specifics.

Model 825YA (3/4" - 2")

