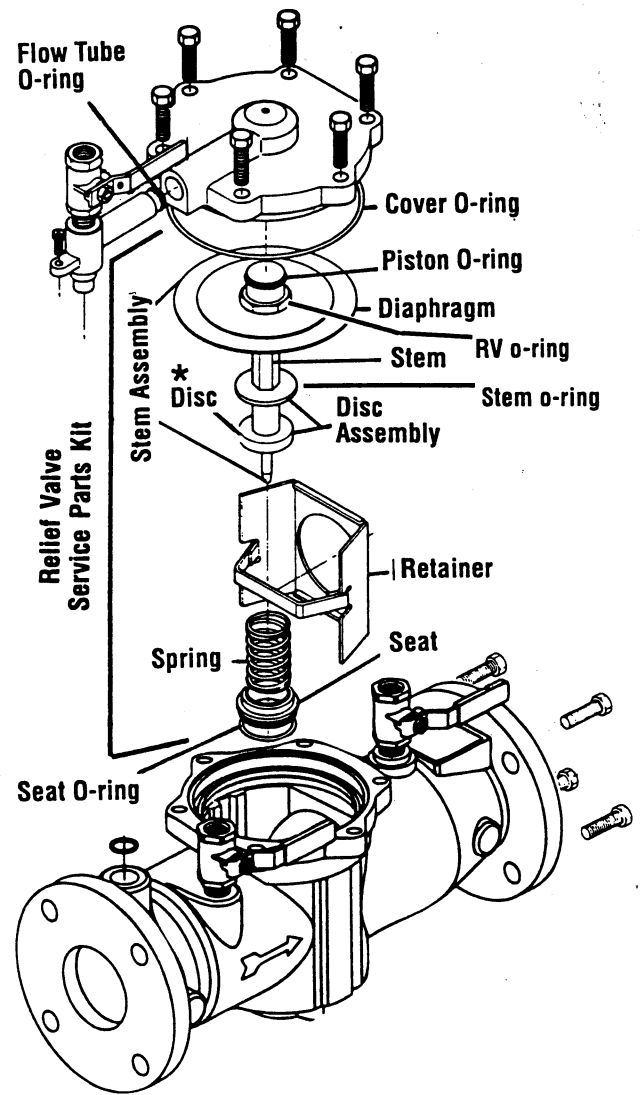
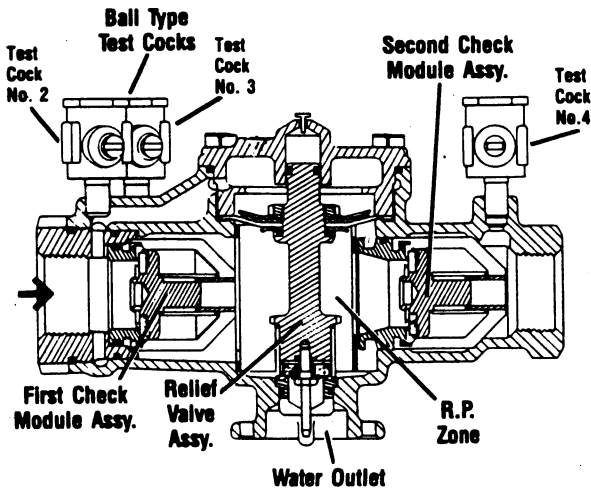


Series 009 2½" - 3"

Reduced Pressure Zone Backflow Preventers



Relief valve kits:

When ordering specify EDP No., Kit No., and Valve Size.

EDP No.	Kit No.	Size
Total Relief Valve Kit:		
887021	RK 009 VT	2½" - 3"
Relief Valve Rubber Parts:		
887206	RK 009 RV	2½" - 3"

Kit consists of: seat, stem assembly, spring, two piston o-rings, flow tube o-ring and cover o-ring.

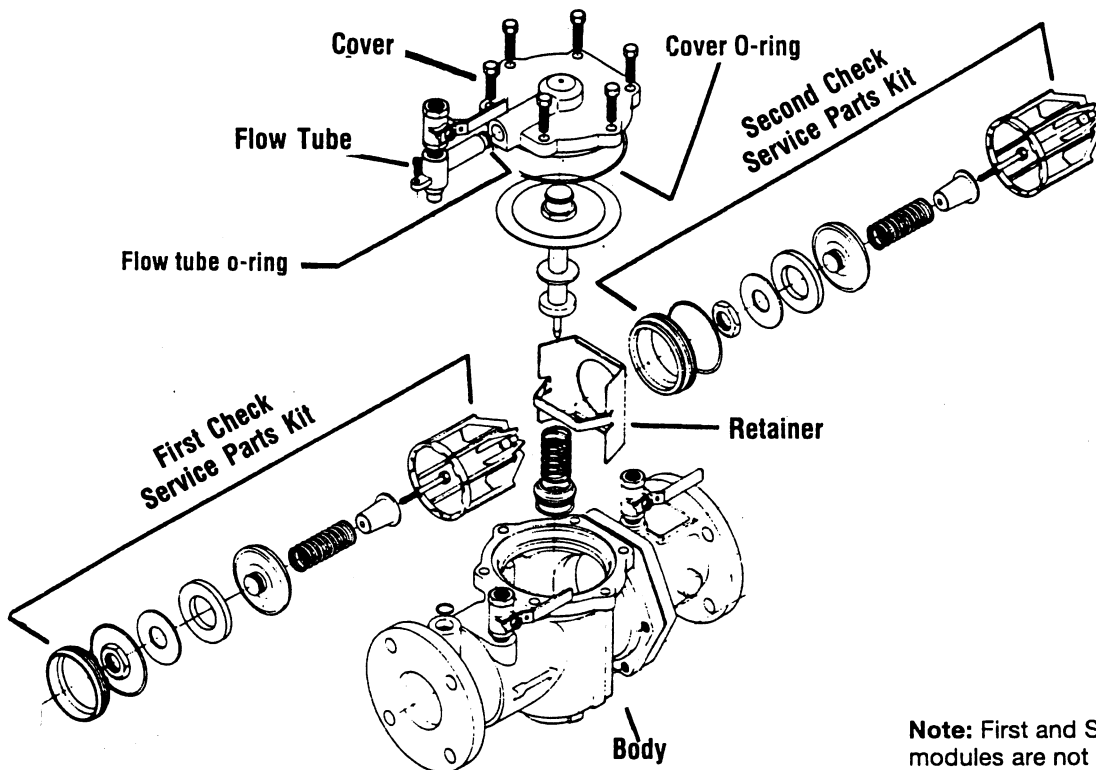
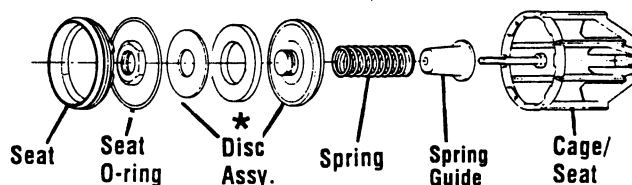
Kit consists of: diaphragm, disc, molded disc assembly, piston o-ring, stem o-ring and cover o-ring.

Stem o-ring located between stem and piston O-ring.

Series 009 2½" - 3"

Reduced Pressure Zone Backflow Preventers

Check Assemblies



Note: First and Second Check Valve modules are not interchangeable.

***Note:** Rubber seat disc can be replaced. However, disc holder and disc retainer are permanently bonded to prevent failure.

Check valve kits:

When ordering specify EDP No., Kit No., and Valve Size.

EDP No.	Kit No.	Size
First Check Parts Kit:		
887019	RK 009 CK1	2½" - 3"

EDP No.	Kit No.	Size
Second Check Parts Kit:		
887020	RK 009 CK2	2½" - 3"

Kit consists of: check assembly, cover o-ring and flow tube o-ring.

EDP No.	Kit No.	Size
First Check Rubber Parts Kit:		
887281	RK 009 RC1	2½" - 3"

EDP No.	Kit No.	Size
Second Check Rubber Parts Kit:		
887205	RK 009 RC2	2½" - 3"

Kit consists of: disc, seat o-ring, cover o-ring and flow tube o-ring.

EDP No.	Kit No.	Size
Total Tubber Parts:		
887207	RK 009 RT	2½" - 3"

Kit consists of: diaphragm, two molded disc assemblies, two seat o-rings, RV o-ring, two piston o-rings, RV stem o-ring, flow tube o-ring and cover o-ring.

EDP No.	Kit No.	Size
Cover Kit:		
887282	RK 009 C	2½" - 3"

Kit consists of: cover, cover o-ring and flow tube o-ring.

EDP No.	Kit No.	Size
Seat Kit:		
887208	RK 009 S1	2½" - 3"
887209	RK 009 S2	2½" - 3"

Kit consists of: check seat, seat o-ring and cover o-ring.