

# MODEL 475

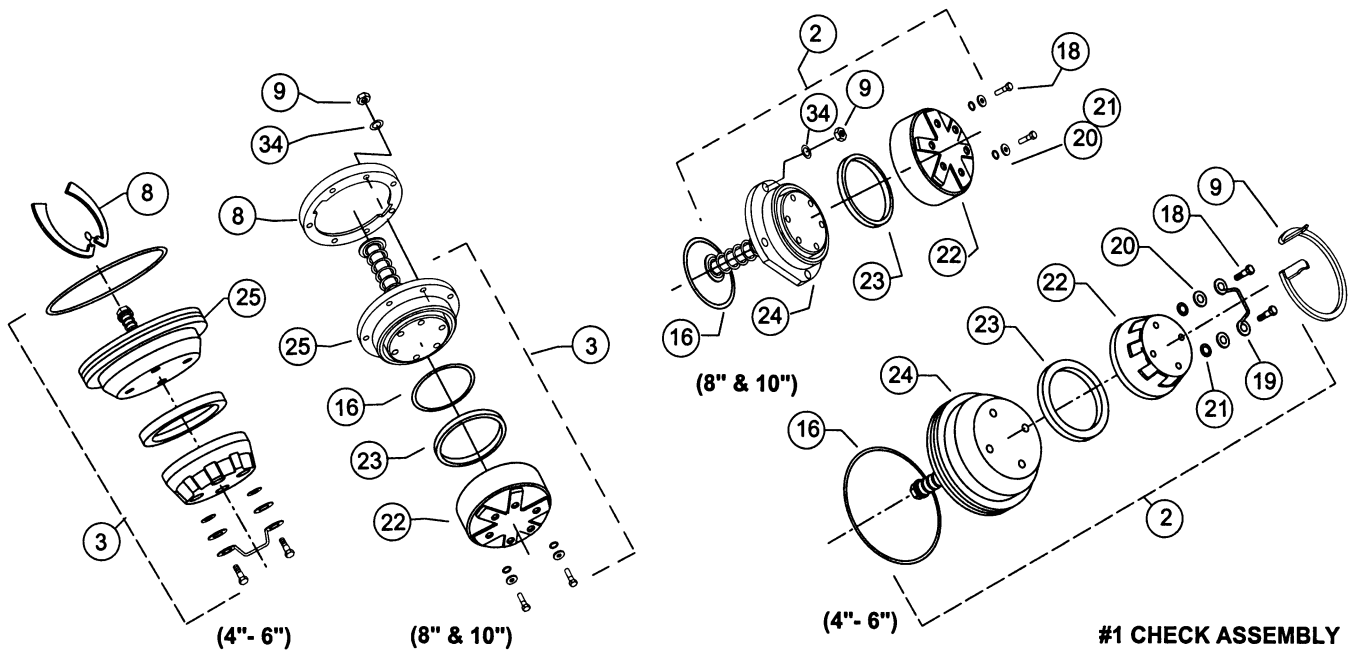
Reduced Pressure Principle  
Backflow Preventers 4" to 10"



| ITEM NO. | DESCRIPTION                | 4"           | 6"           | 8"           | 10"          |
|----------|----------------------------|--------------|--------------|--------------|--------------|
| 1        | GATE VALVE, NRS (GXF)      | 4-48GXF      | 6-48GXF      | 8-48GXF      | 10-48GXF     |
|          | GATE VALVE, OS&Y (GXF)     | 4-48OSYGXF   | 6-48OSYGXF   | 8-48OSYGXF   | 10-48OSYGXF  |
|          | GATE VALVE, OS&Y (GXG)     | 4-48OSYG     | 6-48OSYG     | 8-48OSYG     | 10-48OSYG    |
|          | GATE VALVE, NRS (GXG)      | 4-48G        | 6-48G        | 8-48G        | 10-48G       |
| 2        | #1 CHECKASSEMBLY           | 3709-300     | 3710-300     | 3712-300     | 3712-300     |
| 3        | #2 CHECKASSEMBLY           | 3509-300A    | 3510-300B    | 3512-300B    | 3512-300B    |
| 4        | CU ELBOW                   | 4707-52-010F | 4707-52-010F | 4711-52-010F | 4711-52-010F |
| 5        | O-RING, ELBOW              | 032N         | 032N         | 142N         | 142N         |
| 6        | GROOVED COUPLING           | 4-23         | 6-23         | 8-23         | 10-23        |
| 7        | BOLT                       | 554-11A      | 554-11A      | 957-11       | 957-11       |
| 8        | SEAT RETAINER ASSEMBLY #2  | 3509-140     | 3510-140     | 3511-14DSS   | 3511-14DSS   |
| 9        | SEAT RETAINER #1           | 3509-14B     | 3510-14B     | 3511-9 (NUT) | 3511-9 (NUT) |
| 10       | COVER                      | 3509-3C      | 3510-3C      | 3511-3C      | 3511-3C      |
| 11       | COVER RETAINER ASSEMBLY    | 6-23         | 8-23         | 12-23        | 12-23        |
| 12       | BULKHEAD FITTING ASSEMBLY  | BHF1C-100    | BHF2B-100    | BHF2B-100    | BHF2B-100    |
| 13       | BALL VALVE                 | 12-850       | 34-850       | 34-850       | 34-850       |
| 14       | BULKHEAD FITTING ASSEMBLY  | BHF1B-100    | BHF1B-100    | BHF2C-100    | BHF2C-100    |
| 15       | NIPPLE, LONG               | 12X2-21B     | 5510-21B     | 5510-21B     | 5510-21B     |
| 16       | O-RING, SEAT ASSEMBLY      | 353N         | 364N         | 273N         | 273N         |
| 17       | PLUG/CAP                   | 558-7        | 34-3B        | 558-7        | 558-7        |
| 18       | BOLT, POPPET RETAINER      | 558-11E      | 5510-11A     | 3511-11      | 3511-11      |
| 19       | HANDLE, #1 POPPET ASSEMBLY | 3509-6       | 3510-6       | N/A          | N/A          |
| 20       | WASHER                     | 3509-14C     | 3510-14C     | 3510-14C     | 3510-14C     |
| 21       | O-RING                     | 109N         | 204N         | 204N         | 204N         |
| 22       | POPPET RETAINER            | 3509-14      | 3510-14      | 3511-14      | 3511-14      |
| 23       | SEAL RING                  | 3509-12      | 3510-12      | 3511-12      | 3511-12      |
| 24       | SEAT ASSEMBLY, #1 POPPET   | 3709-180     | 3710-180     | 3712-180     | 3712-180     |
| 25       | SEAT ASSEMBLY, #2 POPPET   | 3509-180     | 3510-180     | 3512-180B    | 3512-180B    |
| 26       | CONTROL UNIT ASSEMBLY      | 3707-CU      | 3707-CU      | 3711-CU      | 3711-CU      |
| 27       | PITOT TUBE ASSEMBLY        | 57510-360    | 57510-360    | 57510-360    | 57510-360    |
| 28       | SENSING TUBE               | 3710-36      | 3710-36      | 4710-36      | 4710-36      |
| 29       | ELBOW                      | 3707-38B     | 3707-38B     | 3707-38B     | 3707-38B     |
| 30       | NIPPLE                     | 14X1.5-21B   | 14X1.5-21B   | 14X1.5-21B   | 14X1.5-21B   |
| 31       | BULKHEAD FITTING, GASKET   | BHF1-13      | BHF1-13      | BHF1-13      | BHF1-13      |
| 32       | GASKET, COVER RETAINER     | 6-23-13      | 8-23-13      | 12-23-13     | 12-23-13     |
| 33       | GASKET, GROOVED COUPLING   | 4-23-13      | 8-23-13      | 8-23-13      | 10-23-13     |
| 34       | WASHER                     | N/A          | N/A          | 3511-14E     | 3510-14C     |

## REPAIR KITS

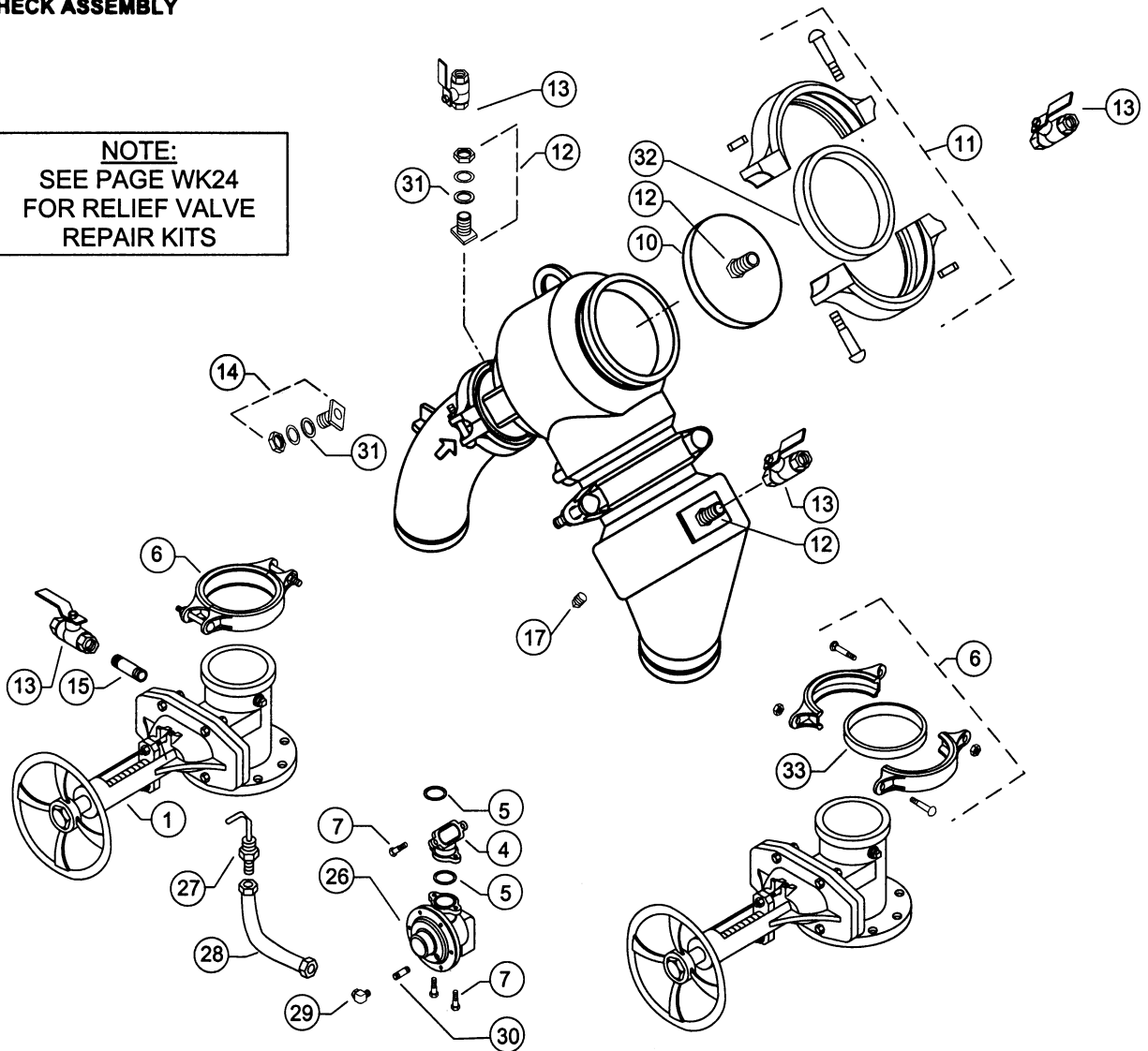
| RK4-350 REPAIR KIT<br>Model 475, 4" |      |             | RK6-350 REPAIR KIT<br>Model 475, 6" |      |             | RK8-350 REPAIR KIT<br>Model 475, 8", 10" |      |             |
|-------------------------------------|------|-------------|-------------------------------------|------|-------------|--|------|-------------|
| PART NO.                            | QTY. | DESCRIPTION | PART NO.                            | QTY. | DESCRIPTION | PART NO.                                 | QTY. | DESCRIPTION |
| 3509-12                             | 2    | SEAL RING   | 3510-12                             | 2    | SEAL RING   | 3511-12                                  | 2    | SEAL RING   |
| 353N                                | 2    | O-RING      | 364N                                | 2    | O-RING      | 273N                                     | 2    | O-RING      |
| 109N                                | 8    | O-RING      | 204N                                | 8    | O-RING      | 204N                                     | 12   | O-RING      |



#2 CHECK ASSEMBLY

#1 CHECK ASSEMBLY

**NOTE:**  
SEE PAGE WK24  
FOR RELIEF VALVE  
REPAIR KITS



# WILKINS

A ZURN™ Company

## MODEL 375, 475 & 475V Relief Valve 2-1/2" to 10"

| RELIEF VALVE COMPLETE |               |      | 3707-CU     | 3711-CU  |
|-----------------------|---------------|------|-------------|----------|
| ITEM NO.              | DESCRIPTION   | QTY. | 2-1/2" - 6" | 8" & 10" |
| 1                     | BOLT, COVER   | 8    | 554-11A     | 957-11   |
| 2                     | O-RING        | 1    | 222N        | 227N     |
| 3                     | UPPER PLUNGER | 1    | 3707-34     | 3711-34  |
| 4                     | DIAPHRAGM     | 1    | 3707-43     | 3711-43  |
| 5                     | LOWER PLUNGER | 1    | 3707-34A    | 3711-34A |
| 6                     | SEAL RING     | 1    | 3707-12     | 3711-12  |
| 7                     | SEAL RETAINER | 1    | 3707-14     | 3711-14  |
| 8                     | SCREW         | 1    | 558-11E     | 558-11E  |
| 9                     | CU SPRING     | 1    | 3707-33A    | 3711A-33 |
| 10                    | CU SEAT       | 1    | 3707-18     | 3711-18  |
| 11                    | O-RING        | 1    | 032N        | 142N     |
| 12                    | WASHER        | 1    | N/A         | 3707-14  |
| 13                    | STEM ASSY.    | 1    | 3707-50     | 3711-50  |

### REPAIR KITS

| REPAIR KITS, RUBBER |             |      | RK212-375R<br>2-1/2" - 6" | RK8-375R<br>8" & 10" |
|---------------------|-------------|------|---------------------------|----------------------|
| ITEM NO.            | DESCRIPTION | QTY. | PART NO.                  | PART NO.             |
| 6                   | SEAL RING   | 1    | 3707-12                   | 3711-12              |
| 4                   | DIAPHRAGM   | 1    | 3707-43                   | 3711-43              |
| 2                   | O-RING      | 1    | 222N                      | 227N                 |
| 11                  | O-RING      | 2    | 032N                      | 146N                 |

| REPAIR KITS, COMPLETE |                    |      | RK212-375<br>2-1/2" - 6" | RK8-375<br>8" & 10" |
|-----------------------|--------------------|------|--------------------------|---------------------|
| ITEM NO.              | DESCRIPTION        | QTY. | PART NO.                 | PART NO.            |
| N/A                   | REPAIR KIT, RUBBER | 1    | RK212-375R               | RK8-375R            |
| 9                     | SPRING             | 1    | 3707-33A                 | 3711A-33            |

