

MODEL 575

Reduced Pressure Principle
Backflow Preventers 2 1/2" to 6"

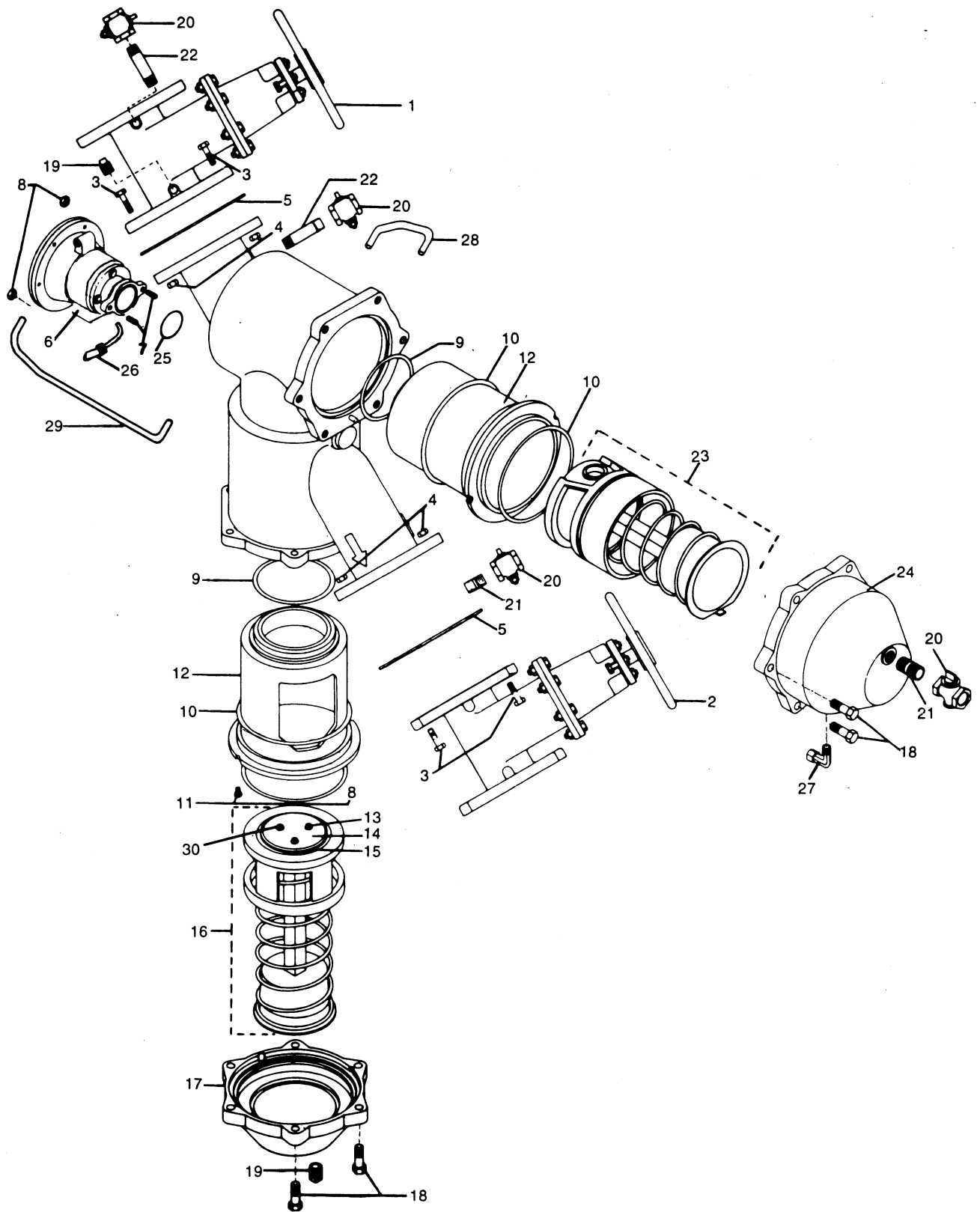
WILKINS

ITEM NO.	DESCRIPTION	QTY.	2 1/2"	QTY.	3"	QTY.	4"	QTY.	6"
1	GATE VALVE, TAPPED RESILIENT SEAT	1	212-48	1	3-48	1	4-48	1	6-48
	GATE VALVE OS&Y, TAPPED RESILIENT SEAT	1	212-48OSY	1	3-48OSY	1	4-48OSY	1	6-48OSY
2	GATE VALVE RESILIENT SEAT	1	212-48	1	3-48	1	4-48	1	6-48
	GATE VALVE, OS&Y RESILIENT SEAT	1	212-48OSY	1	3-48OSY	1	4-48OSY	1	6-48OSY
3	BOLT	8	558-11D	8	558-11D	16	559-11	16	5510-11
4	NUT	8	558-9	8	558-9	16	558-9	16	5510-9
5	GASKET	2	557-13	2	558-13	2	559-13	2	5510-13
6	RELIEF VALVE	1	5758-CU	1	5758-CU	1	5758-CU	1	5758-CU
7	STUD	2	558-11B	2	558-11B	2	558-11B	2	558-11B
8	NUT	2	5758-9	2	5758-9	2	5758-9	2	5758-9
9	O-RING, SMALL	2	341N	2	341N	2	426N	2	439N
10	O-RING, LARGE	4	353N	4	353N	4	439N	4	448N
11	SCREW	2	558-11A	2	558-11A	2	558-11A	2	724-11A
12	SLEEVE	2	558-2	2	558-2	2	559-2	2	5510-2
13	SCREW (POPPET)	2	558-11	2	558-11	6	559-11B	6	552-11B
14	RETAINING PLATE	2	558-14	2	558-14	2	559-14	2	5510-14
15	SEAL RING	2	558-12	2	558-12	2	559-12	2	5510-12
16	#2 POPPET ASSY.	1	Note	1	Note	1	559-300	1	5510-300
17	#2 COVER	1	558-3	1	558-3	1	559-3	2	5510-3A
18	BOLT, COVER	8	559-11C	8	559-11C	12	559-11A	16	5510-11A
19	PIPE PLUG	2	558-7	2	558-7	2	558-7	2	5510-7
20	TEST COCK	4	12-850	4	12-850	4	12-850	4	34-850
21	NIPPLE, SHORT	2	101-21B	2	101-21B	2	101-21B	2	102-21B
22	NIPPLE, LONG	2	558-21B	2	558-21B	2	558-21B	2	5510-21B
23	#1 POPPET ASSY.	1	5758-300	1	5758-300	1	5759-300	1	57510-300
24	#1 COVER	1	5758-3	1	5758-3	1	5759-3	1	57510-3
25	O-RING	1	031N	1	031N	1	031N	1	031N
26	PITOT TUBE ASSY.	1	5758-360	1	5758-360	1	5759-360	1	57510-360
27	FITTING	1	5758A-38A	1	5758A-38A	1	5758A-38A	1	5758A-38A
28	TUBE 1	1	5758-36A	1	5758-36A	1	5759-36A	1	57510-36A
29	TUBE 2	1	5758-36B	1	5758-36B	1	5759-36B	1	57510-36B
30	WASHER	2	604C-12	2	604C-12	6	72C-12	6	604C-12

Note: SPRING #558-33, POPPET #558-300

CHECK VALVE RUBBER REPAIR KITS

NO. RK 212-550R REPAIR KIT Model 550 & 575 2 1/2" & 3"			NO. RK-4-550R REPAIR KIT Model 550 & 575 4"			NO. RK-6-550R REPAIR KIT Model 550 & 575 6"		
PART NO.	QTY.	DESCRIPTION	PART NO.	QTY.	DESCRIPTION	PART NO.	QTY.	DESCRIPTION
558-12	2	SEAL RING	559-12	2	SEAL RING	5510-12	2	SEAL RING
341N	2	O-RING, SMALL	426N	2	O-RING, SMALL	439N	2	O-RING, SMALL
353N	4	O-RING, LARGE	439N	4	O-RING, LARGE	448N	4	O-RING, LARGE
604C-12	2	WASHER	72C-12	6	WASHER	604C-12	6	WASHER



WILKINS

MODEL 575 Relief Valve 2 1/2" to 6"

RELIEF VALVE COMPLETE

5758-CU

ITEM NO.	DESCRIPTION	QTY.	2 1/2" - 6"
1	FITTING	1	5758A-38A
2	SCREW	9	5752-11
3	BLEED SCREW	2	552-11A
4	COVER	1	5758-3A
5	HEX NUT	1	5758-9
6	WASHER	1	5758-14
7	LARGE DIAPHRAGM	1	5758-43
8	SPRING RETAINER	1	5758A-80A
9	SPRING	1	5758A-33
10	PAN HEAD SCREW	6	5758-11
11	GUIDE	1	5758-31A
12	LARGE O-RING	1	048N
13	RETAINER	1	5758-80
14	SMALL DIAPHRAGM	1	5758-43A
15	BODY	1	5758-1A
16	SMALL O-RING	1	011N
17	PISTON	1	5758-35
18	SEAL RING	1	5758-12
19	SEAT GUIDE	1	5758-31
20	HEX HEAD SCREW	1	5754-11
21	SEAT FLANGE	1	5758-18
22	FITTING	1	5758A-36
23	O-RING	1	031N

RUBBER REPAIR KIT

NO. RK 212-575R

RELIEF VALVE REPAIR KIT
Model 575 Relief Valve 2 1/2" to 6"

PART NO.	QTY.	DESCRIPTION
5758-43	1	LARGE DIAPHRAGM
048N	1	LARGE O-RING
5758-43A	1	SMALL DIAPHRAGM
011N	1	SMALL O-RING
5758-12	1	SEAL RING
031N	1	FLANGE O-RING

