

# MODEL 350A & 350

Double Check

Backflow Preventers (350A 2 1/2"-10") (350 4"-12")

# WILKINS

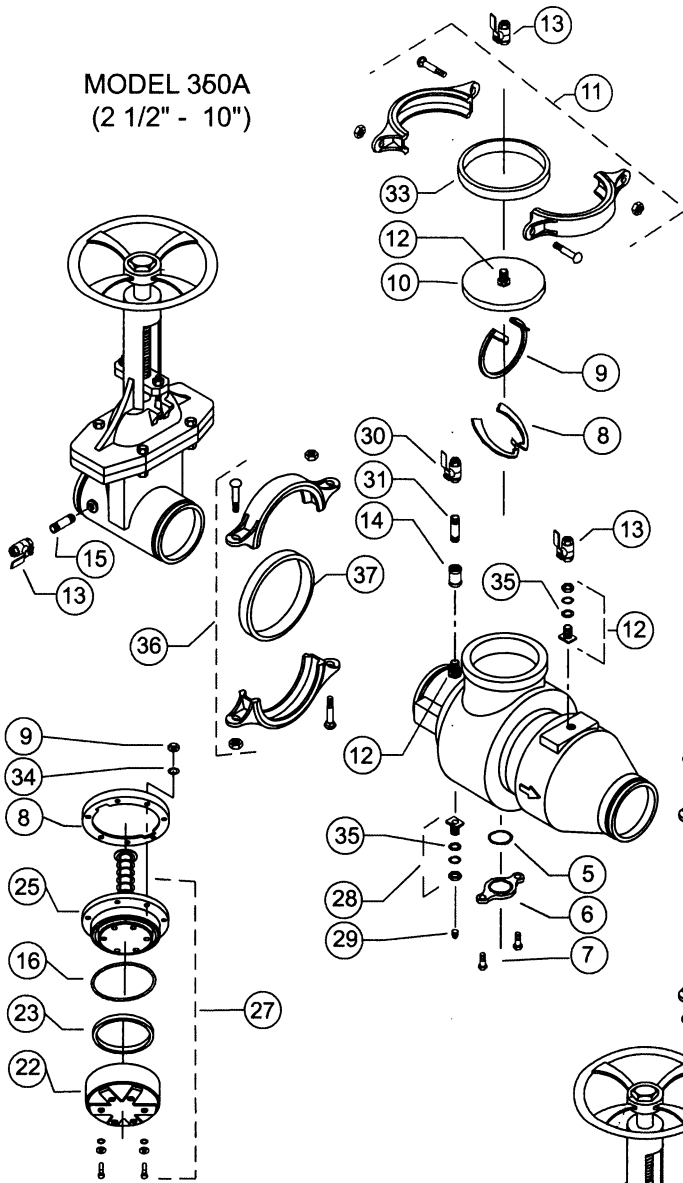
A ZURN Company

ITEM NO	DESCRIPTION	2 1/2"	3"	4"	6"	8"	10"	12"
1	GATE VALVE, NRS	212-48GXF	3-48GXF	4-48	6-48	8-48	10-48	12-48
	GATE VALVE, OS&Y	212-48OSYGXF	3-48OSYGXF	4-48OSY	6-48OSY	8-48OSY	10-48OSY	12-48OSY
	GATE VALVE, OS&Y (F&G)	212-48OSYGXF	3-48OSYGXF	4-48OSYGXF	6-48OSYGXF	8-48OSYGXF	10-48OSYGXF	N/A
	BUTTERFLY VALVE	212-49GVIC	3-49GVIC	4-49GVIC	6-49GVIC	8-49GVIC	10-49GVIC	N/A
2	BOLT, FLANGE	N/A	N/A	559-11	5510-11	9511-11B	9512-11B	9512-11B
3	NUT, FLANGE	N/A	N/A	558-9	5510-9	5510-9	9512-9A	9512-9A
4	GASKET, FLANGE	N/A	N/A	559-13	5510-13	9511-13	9512-13	9512-13
5	O-RING, COVER PLATE	031N	031N	031N	031N	142N	142N	142N
6	COVER PLATE	558-3A-020F	558-3A-020F	558-3A-020F	558-3A-020F	3511-3A-010F	3511-3A-010F	3511-3A-010F
7	BOLT, COVER PLATE	554-11A	554-11A	554-11A	554-11A	957-11	957-11	957-11
8	SEAT RETAINER #2	3509-140	3509-140	3509-140	3510-140	3511-14DSS	3511-14DSS	3511-14DSS
9	SEAT RETAINER #1	3509-14B	3509-14B	3509-14B	3510-14B	3511-9 (NUT)	3511-9 (NUT)	3511-9 (NUT)
10	COVER	3509-3C	3509-3C	3509-3C	3510-3C	3511-3C	3511-3C	3511-3C
11	COVER RETAINER ASSY	6-23	6-23	6-23	8-23	12-23	12-23	12-23
12	BULKHEAD FITTING ASSY	BHF1C-100	BHF1C-100	BHF1C-100	BHF2B-100	BHF2B-100	BHF2B-100	BHF2B-100
13	BALL VALVE	12-850	12-850	12-850	34-850	34-850	34-850	34-850
14	COUPLING	12-51	12-51	12-51	557-51	557-51	557-51	557-51
15	NIPPLE, LONG	558-21B	558-21B	558-21B	34X3-21B	34X3-21B	34X3-21B	34X3-21B
16	O-RING	353N	353N	353N	364N	273N	273N	273N
17	PLUG	558-7	558-7	558-7	5510-7	5510-7	5510-7	5510-7
18	BOLT, POPPET RETAINER	558-11E	558-11E	558-11E	5510-11A	3511-11	3511-11	3511-11
19	HANDLE, #1 POPPET ASSY	3509-6	3509-6	3509-6	3510-6	N/A	N/A	N/A
20	WASHER	3509-14C	3509-14C	3509-14C	3510-14C	3510-14C	3510-14C	3510-14C
21	O-RING	109N	109N	109N	204N	204N	204N	204N
22	POPPET RETAINER	3509-14	3509-14	3509-14	3510-14	3511-14	3511-14	3511-14
23	SEAL RING	3509-12	3509-12	3509-12	3510-12	3511-12	3511-12	3511-12
24	SEAT ASSEMBLY, #1 POPPET	3509-180	3509-180	3509-180	3510-180	3512-180A	3512-180A	3512-180A
25	SEAT ASSEMBLY, #2 POPPET	3509-180	3509-180	3509-180	3510-180	3512-180B	3512-180B	3512-180B
26	#1 CHECK ASSEMBLY	3509-300A	3509-300A	3509-300A	3510-300A	3512-300A	3512-300A	3512-300A
27	#2 CHECK ASSEMBLY	3509-300B	3509-300B	3509-300B	3510-300B	3512-300B	3512-300B	3512-300B
28	BULKHEAD FITTING ASSY	BHF1B-100	BHF1B-100	BHF1B-100	BHF1B-100	BHF2C-100	BHF2C-100	BHF2C-100
29	PLUG	558-7	558-7	558-7	558-7	558-7	558-7	558-7
30	BALL VALVE	12-850M	12-850M	12-850M	34-850	34-850	34-850	34-850
31	NIPPLE, LONG	N/A	N/A	N/A	5510-21B	5510-21B	5510-21B	5510-21B
32	LIFTING LUG	N/A	N/A	N/A	9510-24	9510-24	N/A	N/A
33	GASKET, COVER RETAINER	6-23-13	6-23-13	6-23-13	8-23-13	12-23-13	12-23-13	12-23-13
34	WASHER	N/A	N/A	N/A	N/A	3511-14E	3511-14E	3511-14E
35	BULKHEAD FITTING, GASKET	BHF1-13	BHF1-13	BHF1-13	BHF1-13	BHF1-13	BHF1-13	BHF1-13
36	GROOVED COUPLING	4X212-23	4X3-23	4-23	6-23	8-23	10-23	N/A
37	GASKET	N/A	N/A	4-23-13	6-23-13	8-23-13	10-23-13	N/A

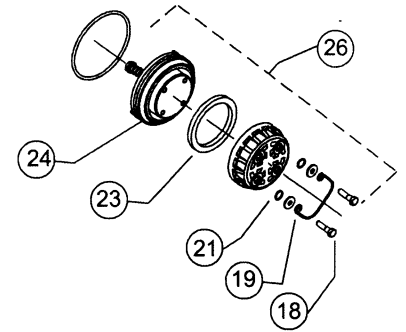
## REPAIR KITS

RK4-350			RK6-350			RK8-350		
REPAIR KIT MODEL 350 4" MODEL 350A, 2 1/2", 3", 4"			REPAIR KIT MODEL 350 & 350A, 6"			REPAIR KIT MODEL 350 8", 10", 12" MODEL 350A, 8", 10"		
PART NO	QTY	DESCRIPTION	PART NO	QTY	DESCRIPTION	PART NO	QTY	DESCRIPTION
3509-12	2	SEAL RING	3510-12	2	SEAL RING	3511-12	2	SEAL RING
353N	2	O-RING	364N	2	O-RING	273N	2	O-RING
109N	8	O-RING	204N	8	O-RING	204N	12	O-RING

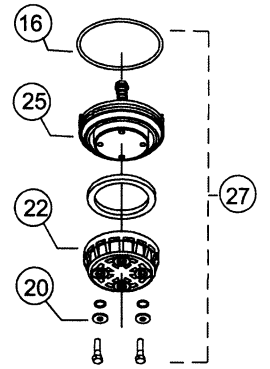
**MODEL 350A**  
(2 1/2" - 10")



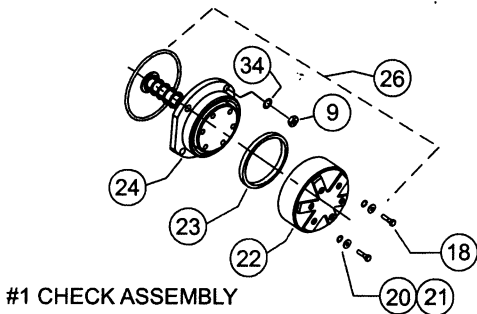
**#2 CHECK ASSEMBLY**  
(350 8" - 12")  
(350A 8" & 10")



**#1 CHECK ASSEMBLY**  
(350 4" & 6")  
(350A 2 1/2" & 6")



**#2 CHECK ASSEMBLY**  
(350 4" & 6")  
(350A 2 1/2" - 6")



**#1 CHECK ASSEMBLY**  
(350 8" - 12")  
(350A 8" & 10")

**MODEL 350 (4"-12")**

