

# MODEL 375 & 475(V)

Reduced Pressure Principle  
Backflow Preventers 2-1/2" to 3"

# WILKINS

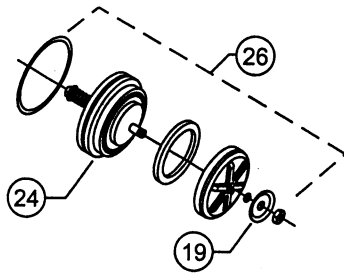
A **ZURN**™ Company

| ITEM NO. | DESCRIPTION                   | (375 & 475(V)) 2-1/2" | (375 & 475(V)) 3" |
|----------|-------------------------------|-----------------------|-------------------|
| 1        | GATE VALVE, NRS               | 212-48                | 3-48              |
|          | GATE VALVE, OS&Y              | 212-48OSY             | 3-48OSY           |
|          | GATE VALVE, OS&Y (FXG)        | 212-48OSYGXF          | 3-48OSYGXF        |
| 2        | BOLT, FLANGE                  | 558-11D               | 558-11D           |
| 3        | NUT, FLANGE                   | 558-9                 | 558-9             |
| 4        | GASKET, FLANGE                | 557-13                | 558-13            |
| 5        | O-RING, CONTROL UNIT          | 032N                  | 032N              |
| 6        | CONTROL UNIT                  | 3707-CU               | 3707-CU           |
| 7        | BOLT, CONTROL UNIT            | 554-11A               | 554-11A           |
| 8        | SEAT RETAINER #2              | 3507-14F              | 3507-14F          |
| 9        | SEAT RETAINER #1              | 3507-14F              | 3507-14F          |
| 10       | COVER                         | 3507-3C               | 3507-3C           |
| 11       | COVER RETAINER ASSY           | 5-23                  | 5-23              |
| 12       | BULKHEAD FITTING ASSY         | BHF1C-100             | BHF1C-100         |
| 13       | BALL VALVE                    | 12-850                | 12-850            |
| 14       | COUPLING                      | 12-51                 | 12-51             |
| 15       | NIPPLE, LONG                  | 558-21B               | 558-21B           |
| 16       | PLUG                          | 558-7                 | 558-7             |
| 17       | O-RING                        | 245N                  | 245N              |
| 18       | NUT, BOLT, POPPET RETAINER    | 3507-9                | 3507-9            |
| 19       | HANDLE, #1 POPPET ASSY        | 3507-14E              | 3507-14E          |
| 20       | WASHER                        | 3507-14D              | 3507-14D          |
| 21       | O-RING                        | 111N                  | 111N              |
| 22       | POPPET RETAINER               | 3507-14               | 3507-14           |
| 23       | SEAL RING                     | 3507-12               | 3507-12           |
| 24       | SEAT ASSEMBLY, #1 POPPET      | 3707-180              | 3707-180          |
| 25       | SEAT ASSEMBLY, #2 POPPET      | 3507-180A             | 3507-180A         |
| 26       | #1 CHECK ASSEMBLY             | 3707-300              | 3707-300          |
| 27       | #2 CHECK ASSEMBLY             | 3507-300A             | 3507-300A         |
| 28       | BULKHEAD FITTING ASSY         | BHF1B-100             | BHF1B-100         |
| 29       | SENSING TUBE FITTING          | 5758A-36              | 5758A-36          |
| 30       | PITOT TUBE ASSY (4", 6" & 8") | 3709-29               | 3709-29           |
| 31       | SENSING TUBE                  | 3707-36               | 3707-36           |
| 32       | BALL VALVE                    | 12-850M               | 12-850M           |
| 33       | BULKHEAD FITTING, GASKET      | BHF1-13               | BHF1-13           |
| 34       | GASKET, COVER RETAINER        | 5-23-13               | 5-23-13           |

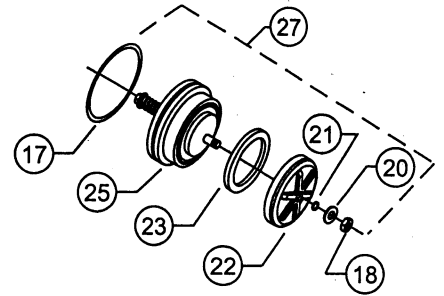
## REPAIR KITS

| RK212-350 REPAIR KIT<br>Model 375 & 475(V), 2-1/2", 3" |      |             |
|--|------|-------------|
| PART NO.   | QTY. | DESCRIPTION |
| 3507-12  | 2    | SEAL RING   |
| 245N   | 2    | O-RING      |
| 111N   | 2    | O-RING      |

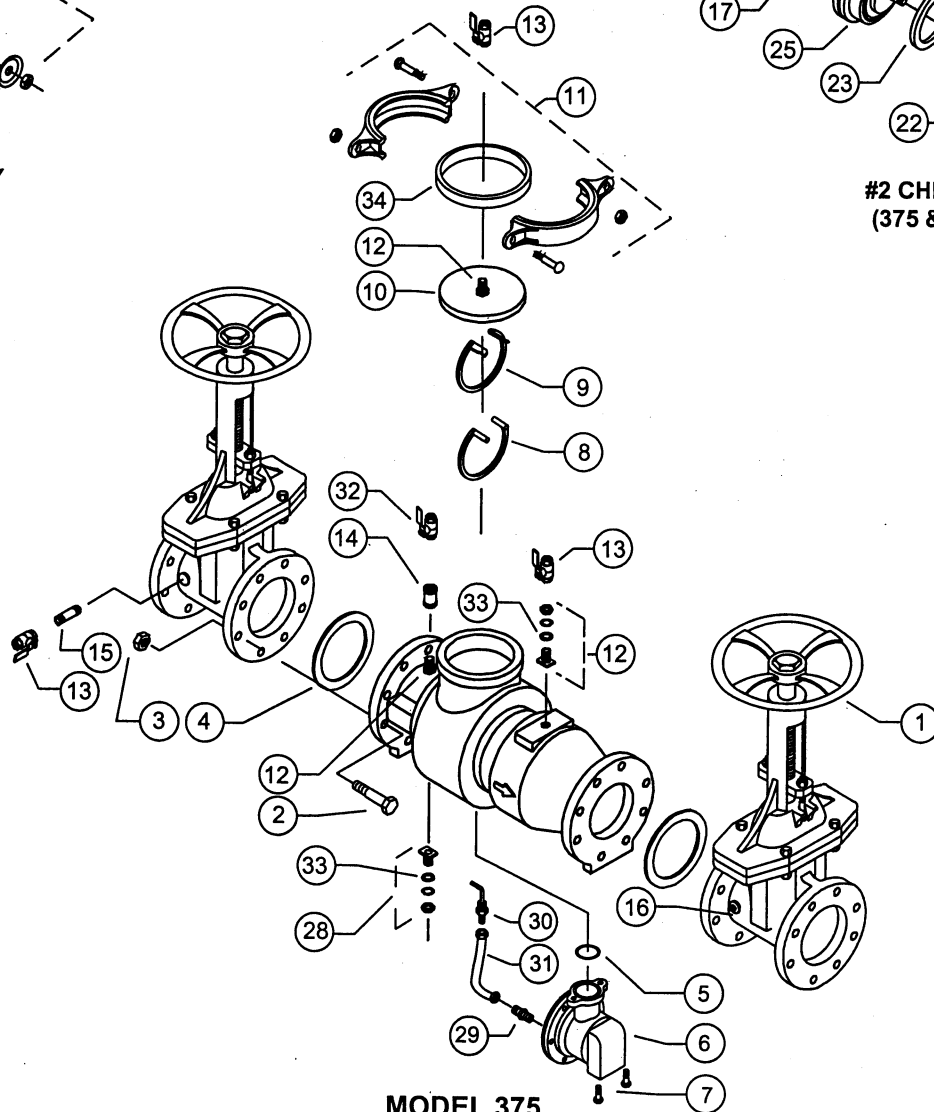
**NOTE:**  
SEE PAGE WK24  
FOR RELIEF VALVE  
REPAIR KITS



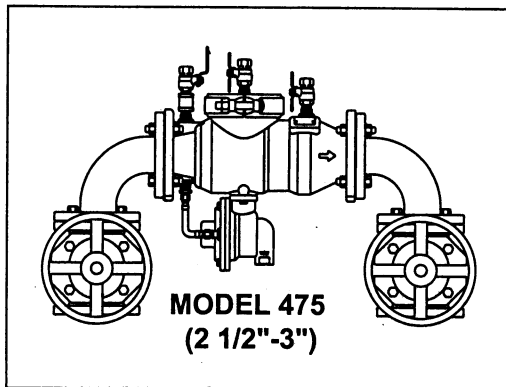
**#1 CHECK ASSEMBLY  
(375 & 475 2 1/2" & 3")**



**#2 CHECK ASSEMBLY  
(375 & 475 2 1/2" & 3")**



**MODEL 375  
(2 1/2"-3")**



**MODEL 475  
(2 1/2"-3")**

# WILKINS

A **ZURN**™ Company

## MODEL 375, 475 & 475V Relief Valve 2-1/2" to 10"

| RELIEF VALVE COMPLETE |               |      | 3707-CU     | 3711-CU  |
|-----------------------|---------------|------|-------------|----------|
| ITEM NO.              | DESCRIPTION   | QTY. | 2-1/2" - 6" | 8" & 10" |
| 1                     | BOLT, COVER   | 8    | 554-11A     | 957-11   |
| 2                     | O-RING        | 1    | 222N        | 227N     |
| 3                     | UPPER PLUNGER | 1    | 3707-34     | 3711-34  |
| 4                     | DIAPHRAGM     | 1    | 3707-43     | 3711-43  |
| 5                     | LOWER PLUNGER | 1    | 3707-34A    | 3711-34A |
| 6                     | SEAL RING     | 1    | 3707-12     | 3711-12  |
| 7                     | SEAL RETAINER | 1    | 3707-14     | 3711-14  |
| 8                     | SCREW         | 1    | 558-11E     | 558-11E  |
| 9                     | CU SPRING     | 1    | 3707-33A    | 3711A-33 |
| 10                    | CU SEAT       | 1    | 3707-18     | 3711-18  |
| 11                    | O-RING        | 1    | 032N        | 142N     |
| 12                    | WASHER        | 1    | N/A         | 3707-14  |
| 13                    | STEM ASSY.    | 1    | 3707-50     | 3711-50  |

### REPAIR KITS

| REPAIR KITS, RUBBER |             |      | RK212-375R<br>2-1/2" - 6" | RK8-375R<br>8" & 10" |
|---------------------|-------------|------|---------------------------|----------------------|
| ITEM NO.            | DESCRIPTION | QTY. | PART NO.                  | PART NO.             |
| 6                   | SEAL RING   | 1    | 3707-12                   | 3711-12              |
| 4                   | DIAPHRAGM   | 1    | 3707-43                   | 3711-43              |
| 2                   | O-RING      | 1    | 222N                      | 227N                 |
| 11                  | O-RING      | 2    | 032N                      | 146N                 |

| REPAIR KITS, COMPLETE |                    |      | RK212-375<br>2-1/2" - 6" | RK8-375<br>8" & 10" |
|-----------------------|--------------------|------|--------------------------|---------------------|
| ITEM NO.              | DESCRIPTION        | QTY. | PART NO.                 | PART NO.            |
| N/A                   | REPAIR KIT, RUBBER | 1    | RK212-375R               | RK8-375R            |
| 9                     | SPRING             | 1    | 3707-33A                 | 3711A-33            |

